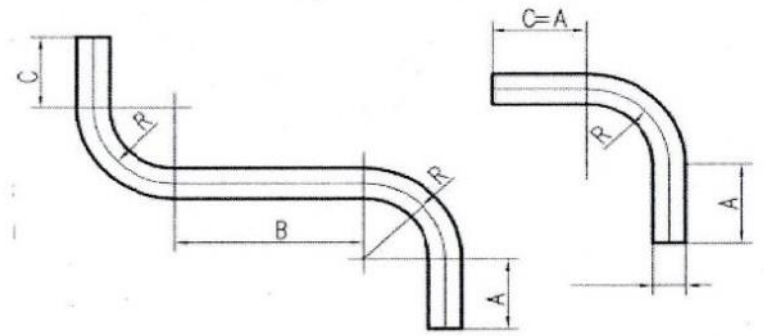


Dimension	CLR	Size A mm	Size B mm	Macc 76CBA	RASI S80.3	BLM SWING
8	30	40	40			
10	30	40	40			
12	30	40	40			
14	28	40	40			
14	35	35	0			+ variable radius
15	30	40	40			
16	30	50	50			
16	40	35	0			+ variable radius
18	45	50	50			
18	45	35	0			+ variable radius
20	55	50	50			
20	50	35	0			+ variable radius
22	48	50	50			
22	55	35	0			+ variable radius
25	50	50	50			
25	62	35	0			+ variable radius
27	54	50	50			
28	70	35	0			+ variable radius
30	90	50	50			
30	120	50	50			
30	75	35	0			+ variable radius
32	64	80	80			
33.7	67	80	80			
33.7	110	80	80			
33.7	160	80	80			
38	60	60	60			
38	76	70	70			
40	65	60	60			
40	80	120	120			
42	63	80	80			
43	86	120	120			
45	90	75	75			
48	88	80	80			
48	112	120	120			
50,8	101,6	120	120			
50,8	152,4	120	120			
57	171	120	120			
60,3	122	120	120			
60,3	135	150	150			
60,3	162	120	120			
60,3	181	150	150			
63,5	190	150	150			
70	135	120	120			
76,2	152,2	150	150			
76,2	228,3	170	170			
15x15	37,5	50	50			
20x20	120	70	70			
20x40	75	120	120			
30x30	82	80	80			

30x30	85	80	80		
30x40	100	80	80		
40x40	80	80	80		
40x50	220	120	120		
50x50	110	80	80		
40x80	220	150	150		
80x40	280	150	150		
20	20	50	50	rod	
20	30	50	50	rod	
25	25	50	50	rod	
30	30	50	50	rod	



We can make a tool of any complexity for any pipe.

Member of quality programs



USAID
FROM THE AMERICAN PEOPLE